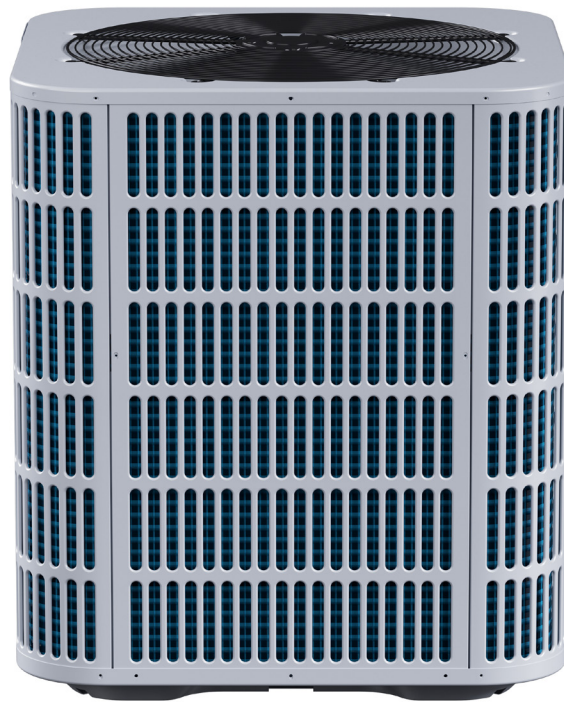
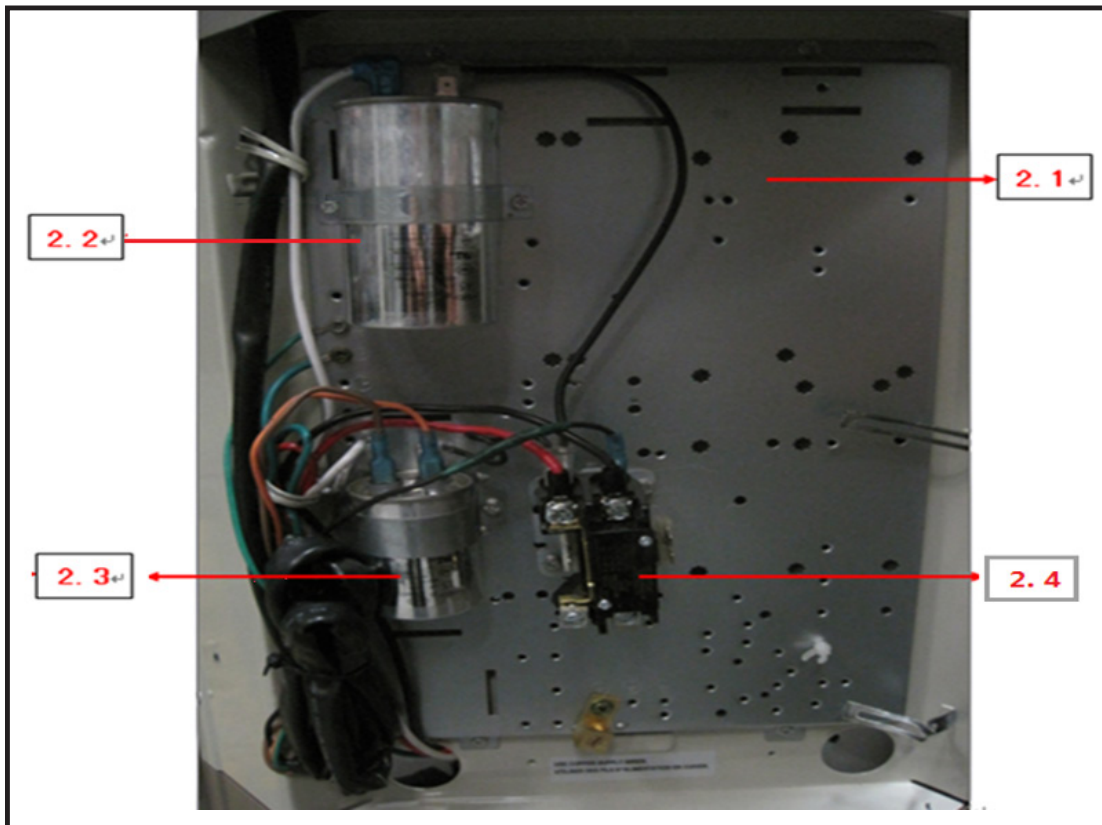
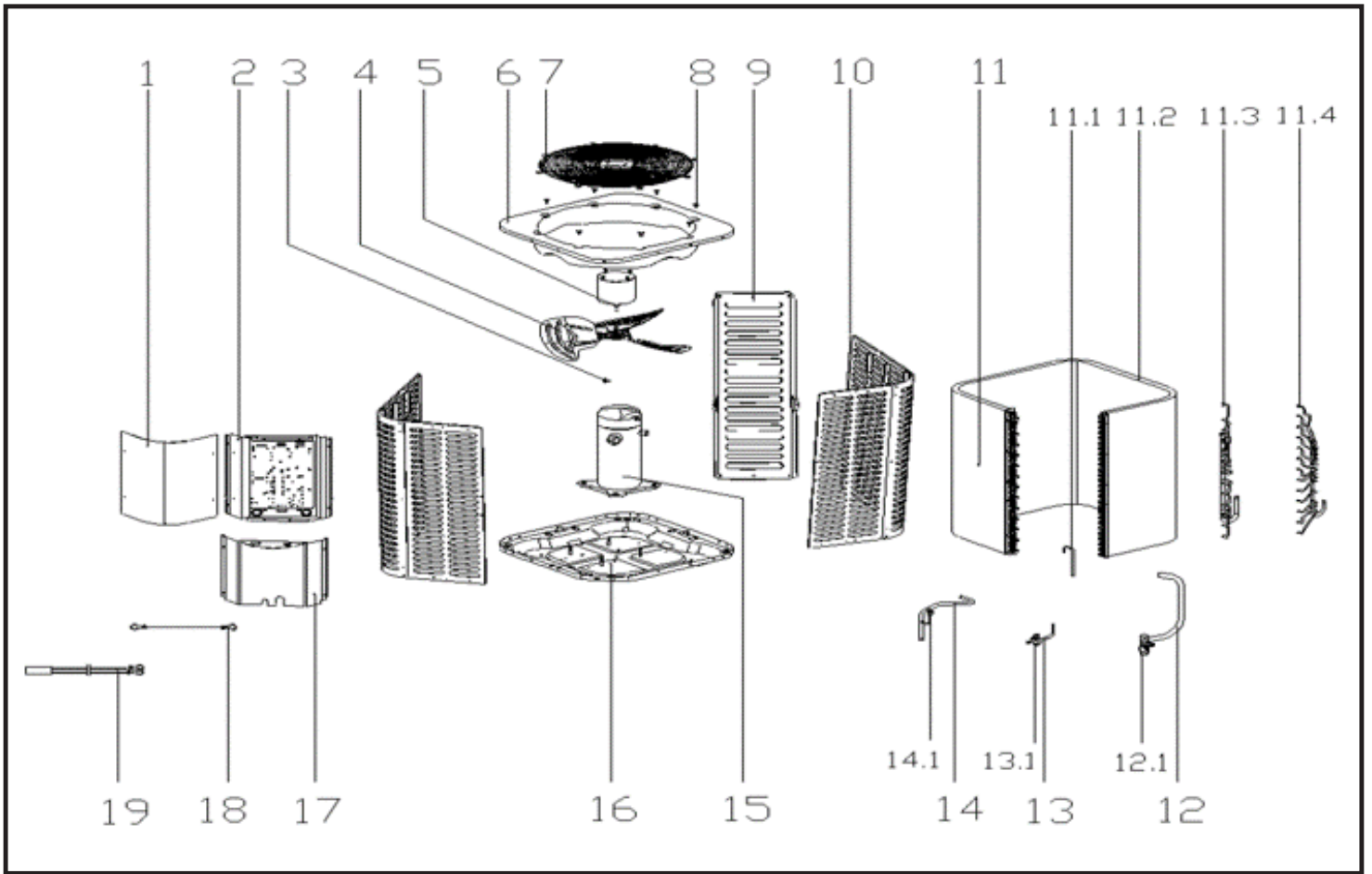




Split System Air Conditioner

RSA1448S1A
Parts List





EX_ID	Spare Parts Code	Part Name(EN)	Qty.	Recommend store spare parts
1	12223000A05994	Side panel assembly	1	
2	17223000004759	E-part box assembly	1	
2.1	12223000010791	Installation plate of electric parts subassembly	1	
2.2	17400103000133	Capacitor	1	
2.3	17400103000151	Capacitor	1	
2.4	11203502000032	AC contactor	1	
3	11301512000143	Nut	1	
4	12200104000032	Axial Flow Fan	1	
5	11002012000741	Single phase asynchronous motor	1	
6	12223000001097	Top cover assembly	1	
7	12923000000028	Grille, top cover	1	
8	11301002000001	Stainless steel bolts	8	
9	12223000002572	Side panel assembly	3	
10.1	12223000A03410	Side panel assembly	2	
10.2	12223000A03411	Side panel assembly	2	
11	15823000000265	Condenser ass'y	1	
11.1	15123000000741	Evaporator connection pipe assembly	1	
11.2	15823000000266	Condenser	1	
11.3	15123000004421	Condenser input pipe assembly	1	
11.4	15123000000742	Output pipe assembly I of condenser	1	
12	15423000001322	Low pressure valve assembly	1	
12.1	15500206000017	Bar-Stock Service Valve	1	
13	15423000003178	Stop valve ass'y	1	
13.1	15500206000018	Block valve	1	
14	15423000001217	Discharge pipe assembly	1	
14.1	17400516000032	Pressure switch	1	
15	11102010000411	Fixed Speed Scroll compressor	1	
16	12223000005895	Base assembly	1	
17	12223100000240	Clapboard assembly	1	
18	17401110000020	Green ground line	1	
19	17401203001230	Compressor wire joint ass'y	1	

Due to ongoing product improvements, specifications and dimensions are subject to change and correction without notice or incurring obligations. Determining the application and suitability for use of any product is the responsibility of the installer. Additionally, the installer is responsible for verifying dimensional data on the actual product prior to beginning any installation preparations.

Incentive and rebate programs have precise requirements as to product performance and certification. All products meet applicable regulations in effect on date of manufacture; however, certifications are not necessarily granted for the life of a product. Therefore, it is the responsibility of the applicant to determine whether a specific model qualifies for these incentive/rebate programs.

Comfort-Cire[®]  **Century**[®]